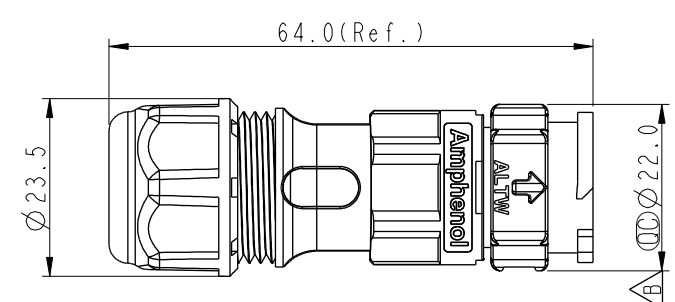
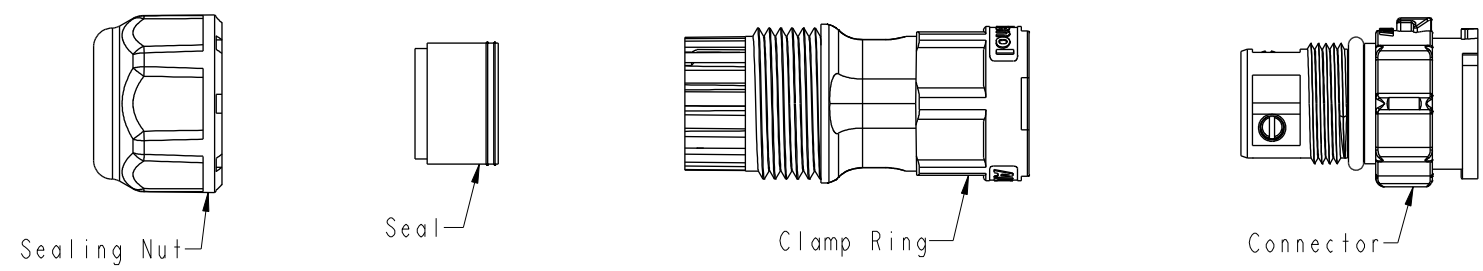


THIS DOCUMENT IS SUBJECT TO CHANGE WITHOUT NOTICE. IT IS CONFIDENTIAL AND A PROPERTY OF Amphenol LTW. DISCLOSURE TO THIRD PARTY HAS TO BE AUTHORIZED BY Amphenol LTW.

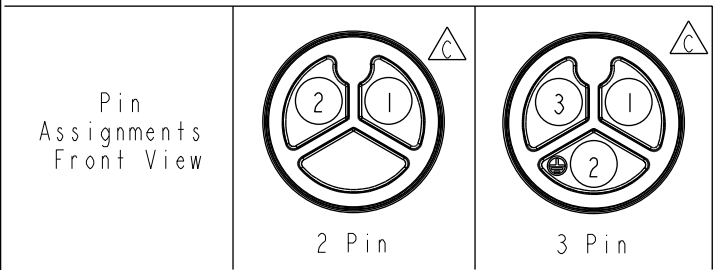
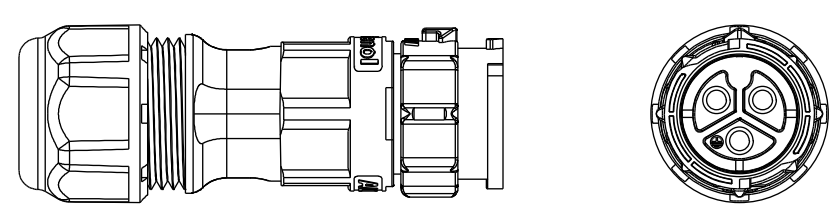
REV.	ECN NO.	DATE	SIGN	DESCRIPTION
A	Initial Release	2018/03/14	Mafei	Change Rev.01 To Rev.A
B	E191814	2019/10/23	Ruru	$\triangle B$ X3
C	C200598	2020/05/08	Victor Hung	$\triangle C$ X2



CC-XXBMFB-QLXPP

02-2 Pin  
03-3 Pin

S: With Red Color Seal 1, Cable OD 6.0~8.0mm.  
M: With Yellow Color Seal 2, Cable OD 8.0~10.0mm.  
L: With Blue Color Seal 3, Cable OD 10.0~12.0mm.  
A: With Seal 1 & Seal 2 & Seal 3.

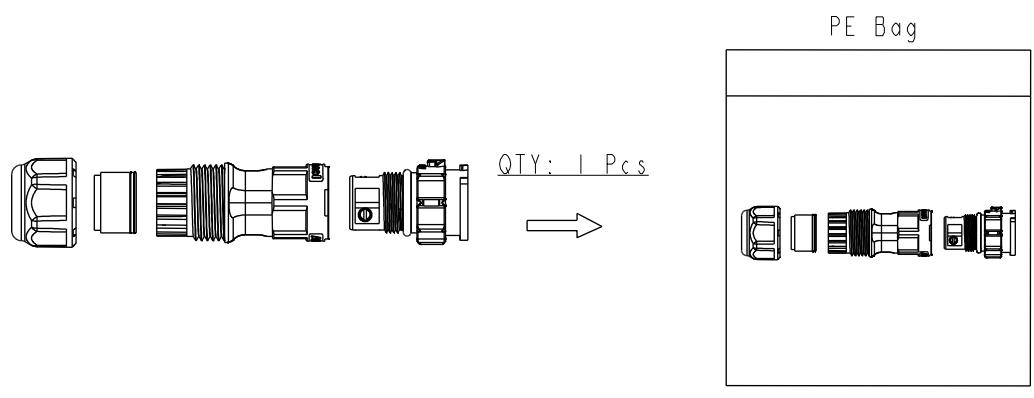


$\triangle B$  Note:

- \*  $\varnothing$  Important Dimension
- \* Waterproof Rate: IP68, Mated  
IP68 : 1M Depth Of Water In 24hours
- \* Housing: Thermoplastic, Black
- \* Pin: Copper Alloy, Gold Plated
- \* Clamp Ring: Thermoplastic, Black
- \* Sealing Nut: Thermoplastic, Black
- \* Seals: Rubber

UNIT:mm		TITLE XLOK, C-20A, 02P, CABLE W/O SR $\triangle B$ M, F, FI SCREW IN, XLOK		
TOLERANCE	$\pm 0.5$ mm	SCALE 8:5	SIZE A4	SHEET 1 OF 2
REV. C	WC-REV. A.3	$\varnothing$ : Inspection item		

<b>Amphenol LTW</b>		ITEM NO	DRAWN BY	DATE
<b>安費諾亮泰企業股份有限公司</b>			Victor Hung	2020/05/08
DWG NO	CUSTOMER	CHECKED BY	DATE	
CC-XXBMFB-QL8XPP	ALTW	Aric Ko	2020/05/08	
		APPROVED BY	DATE	
		Max Yang	2020/05/08	

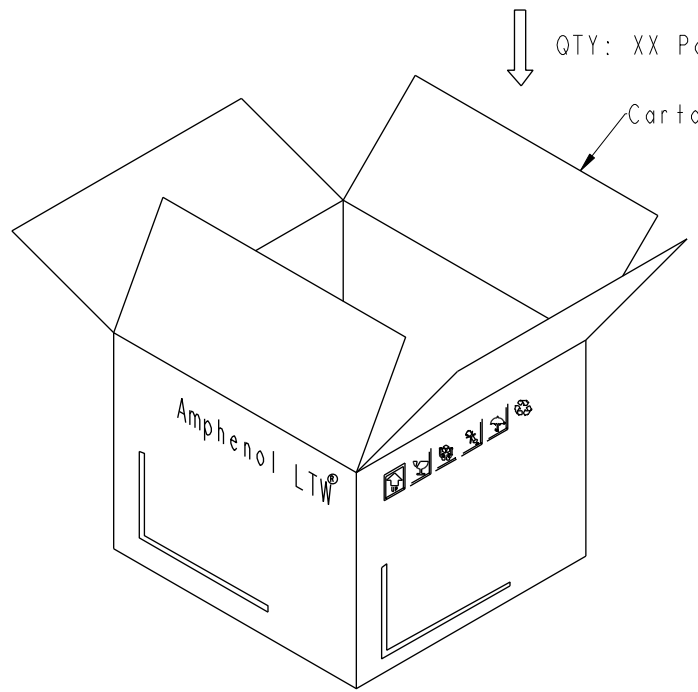


QTY: 1 Pcs

PE Bag

QTY: XX Pcs

Carton



Note:

- \* One Set Unassembled In One PE Bag.  
(每一組未組裝，放置於一個PE袋，並封口，如圖示)
- \* Label is Attached To PE Bag Front.  
(標籤貼在PE袋正面)

UNIT: mm		
TOLERANCE ±0.5 mm		

TITLE XLOK, C-20A, 02P, CABLE W/O SR M, F, FI SCREW IN, XLOK			
SCALE 8:5	SIZE A4	SHEET 2 OF 2	
REV. C	WC-REV. A.3	Inspection item	

Amphenol LTW

安費諾亮泰企業股份有限公司

ITEM NO	DRAWN BY Victor Hung	DATE 2020/05/08
DWG NO CC-XXBMFB-QL8XPP	CHECKED BY Aric Ko	DATE 2020/05/08
CUSTOMER ALTW	APPROVED BY Max Yang	DATE 2020/05/08